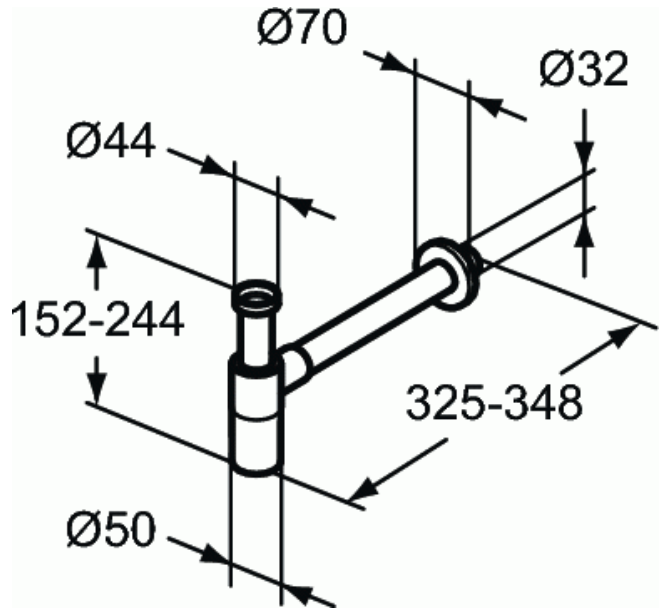


# IPALYSS

## Design siphons G1 1/4



**Design siphons G1 1/4**  
Design siphons G1 1/4 for basins

### FINISHES\*



\* A2 = Brushed Gold, GN = Silver Storm, A5 = Magnetic Grey, XG = Silk Black (Matt Black)